



(12) **United States Design Patent**  
**Reid, Jr.**

(10) **Patent No.:** **US D699,085 S**  
(45) **Date of Patent:** **\*\* Feb. 11, 2014**

- (54) **ORGANIZER FOR BOTTLES AND CANS**
- (76) Inventor: **James D. Reid, Jr.**, Irvington, VA (US)
- (\*\*) Term: **14 Years**
- (21) Appl. No.: **29/426,212**
- (22) Filed: **Jul. 2, 2012**
- (51) **LOC (10) Cl.** ..... **06-04**
- (52) **U.S. Cl.**  
USPC ..... **D7/701**
- (58) **Field of Classification Search**  
USPC ..... D7/701-708, 600.1-600.4, 550.1-557;  
211/74, 71.01, 85.18-85.23, 88.01,  
211/90.1, 126.1; D3/304, 313;  
D24/227-231  
See application file for complete search history.

D576,849 S *	9/2008	Carfagna .....	D7/701
D594,293 S *	6/2009	Hassold .....	D7/701
D597,370 S *	8/2009	Watkins .....	D7/354
D608,609 S *	1/2010	Eaton .....	D7/701
D636,642 S *	4/2011	Dulin .....	D7/701
D650,636 S *	12/2011	Roth .....	D7/600.1
D656,363 S *	3/2012	Tiemann et al. ....	D7/601
2002/0108917 A1 *	8/2002	Maruyama .....	211/74
2008/0283481 A1 *	11/2008	Evans et al. ....	211/74

\* cited by examiner  
*Primary Examiner* — Terry Wallace  
(74) *Attorney, Agent, or Firm* — Brian J. Teague

(57) **CLAIM**  
I claim the ornamental design for an organizer for bottles and cans, as shown and described.

**DESCRIPTION**

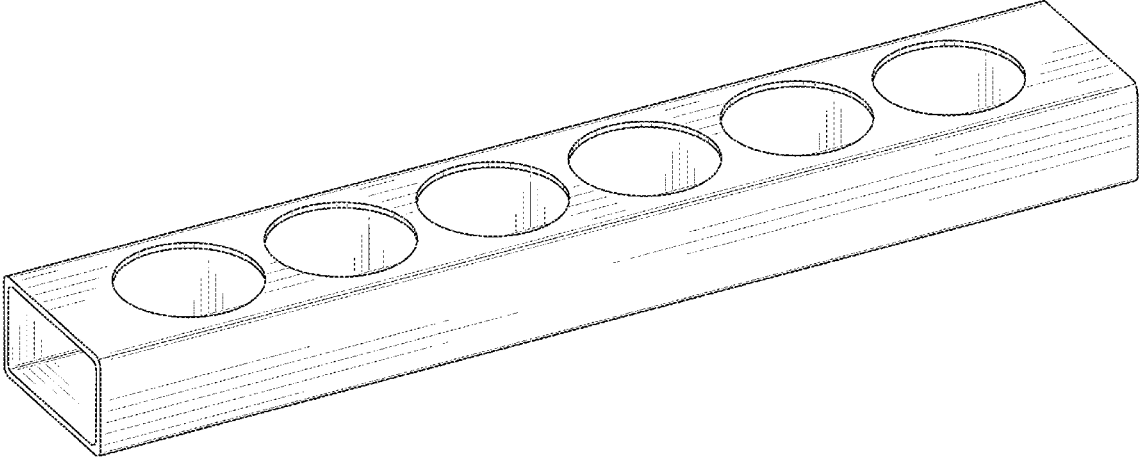
FIG. 1 is a perspective view of one embodiment of an organizer for bottles and cans showing the new design.  
FIG. 2 is a top view thereof.  
FIG. 3 is a bottom view thereof.  
FIG. 4 is a front elevational view thereof. The rear elevational view is identical.  
FIG. 5 is a right side elevational view thereof. The left side elevational view is identical; and,  
FIG. 6 is a perspective view thereof showing the organizer in use holding bottles and cans.  
In the drawings, the broken lines shown in the figures depict unclaimed subject matter only and form no part of the claimed design.

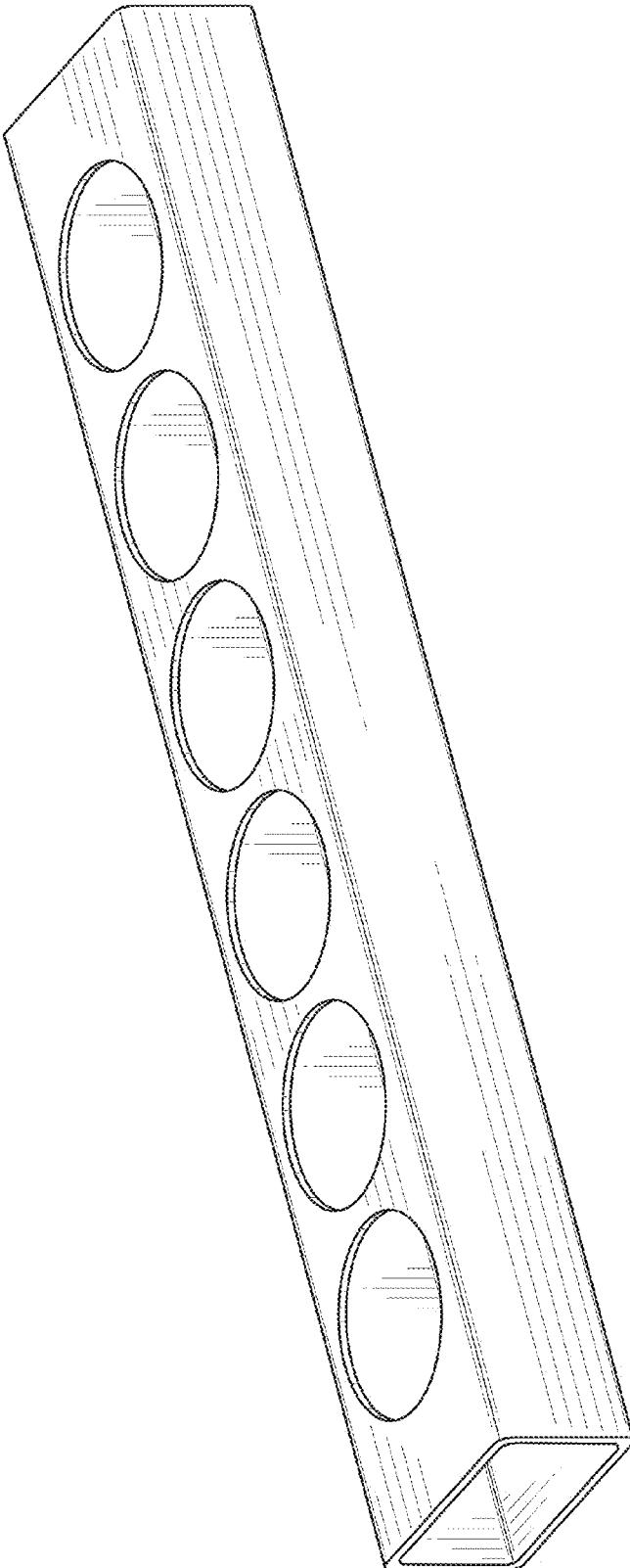
(56) **References Cited**

U.S. PATENT DOCUMENTS

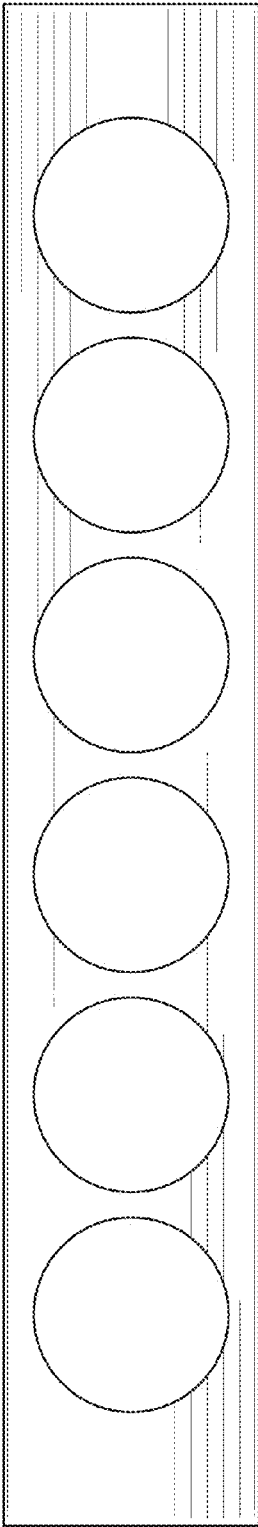
3,211,290 A *	10/1965	Strickling .....	209/522
D307,997 S *	5/1990	Bernstein .....	D7/707
D311,115 S *	10/1990	Abraham .....	D7/708
D323,447 S *	1/1992	Booz .....	D7/705
D330,513 S *	10/1992	Gilchrist .....	D7/703
D381,515 S *	7/1997	Haynes .....	D3/313
D538,538 S *	3/2007	Espinosa .....	D3/313
D551,036 S *	9/2007	Tomaszewski .....	D7/701
D551,038 S *	9/2007	Evaimalo et al. ....	D7/708
D575,599 S *	8/2008	Ignozzi .....	D7/701

**1 Claim, 4 Drawing Sheets**

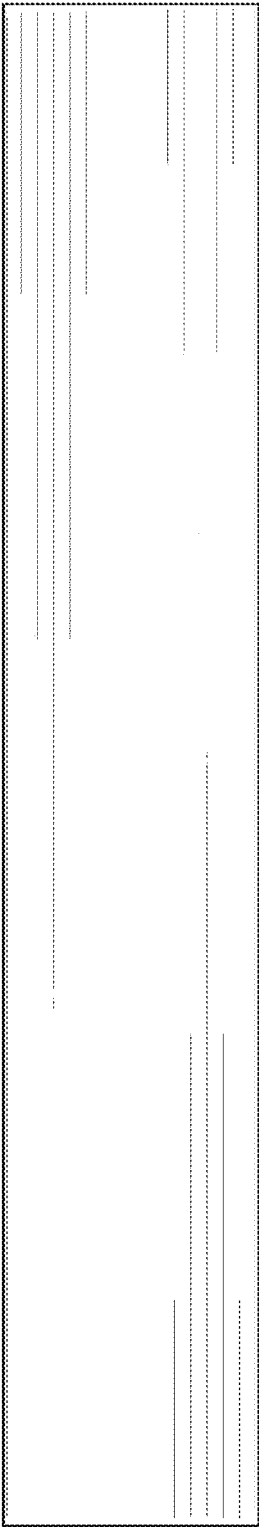




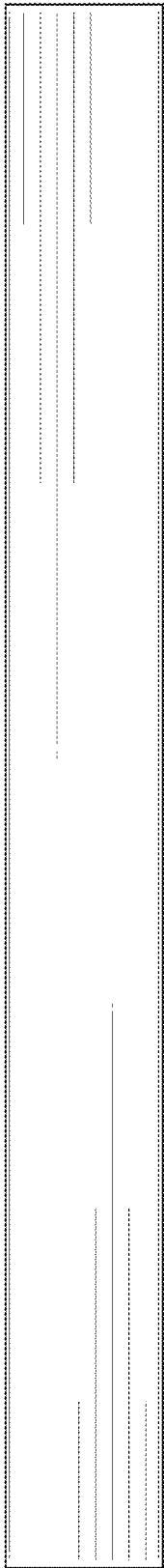
**FIG. 1**



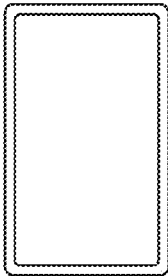
**FIG. 2**



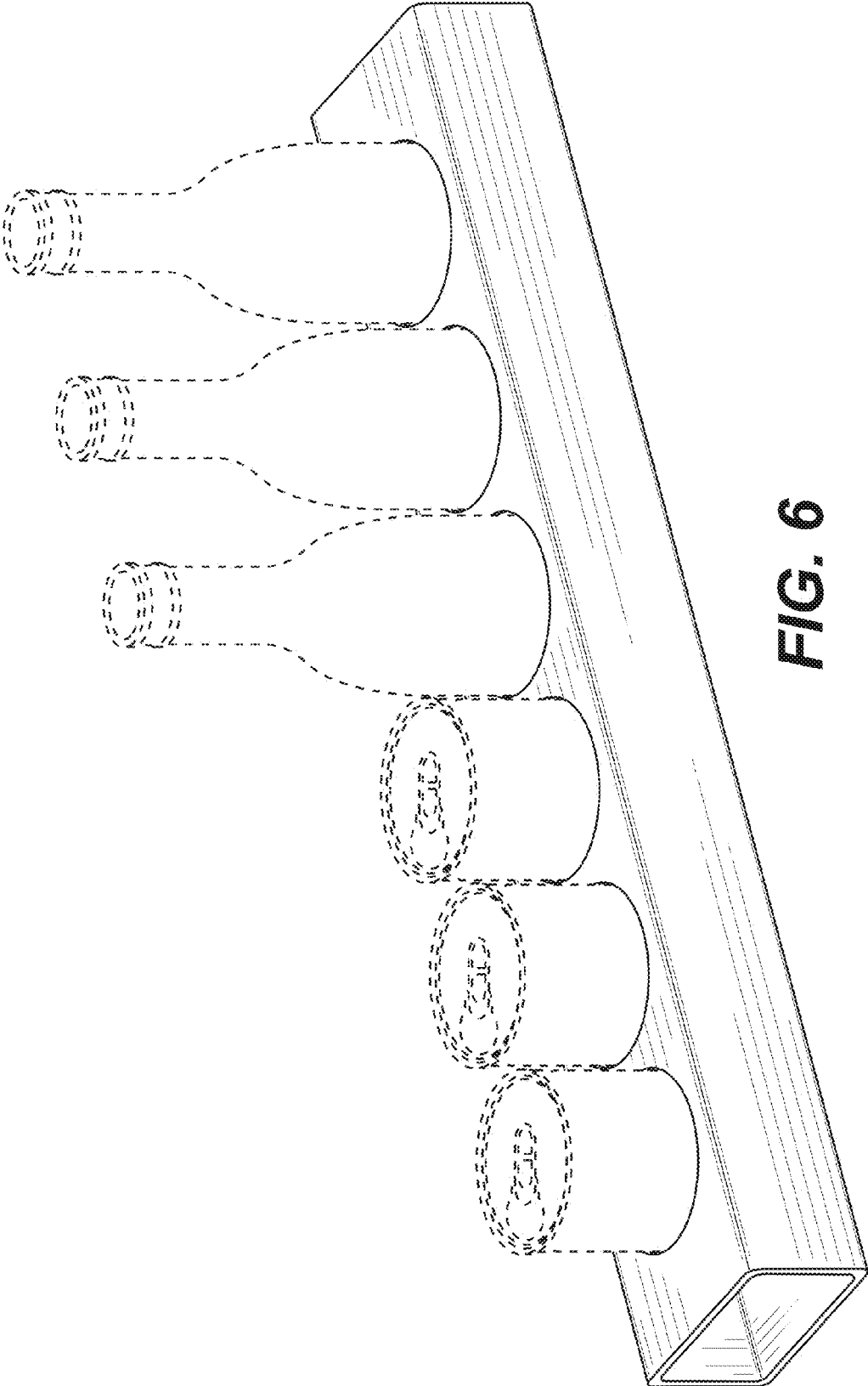
**FIG. 3**



**FIG. 4**



**FIG. 5**



**FIG. 6**