



US00D705618S

(12) **United States Design Patent**
Reid, Jr.

(10) **Patent No.:** **US D705,618 S**

(45) **Date of Patent:** **** May 27, 2014**

(54) **ORGANIZER FOR BOTTLES AND CANS**

(71) Applicant: **James D. Reid, Jr.**, Irvington, VA (US)

(72) Inventor: **James D. Reid, Jr.**, Irvington, VA (US)

(**) Term: **14 Years**

(21) Appl. No.: **29/478,212**

(22) Filed: **Jan. 2, 2014**

Related U.S. Application Data

(62) Division of application No. 29/426,212, filed on Jul. 2, 2012, now Pat. No. Des. 699,085.

(51) **LOC (10) Cl.** **06-04**

(52) **U.S. Cl.**
USPC **D7/701**

(58) **Field of Classification Search**
USPC D7/600.1-600.4, 701-708; 211/74,
211/71.01, 70.6, 70.7, 85.18-85.23, 88.01,
211/90.1, 126.1; D3/304, 313
See application file for complete search history.

(56) **References Cited**

U.S. PATENT DOCUMENTS

D311,115 S *	10/1990	Abraham	D7/708
D323,447 S *	1/1992	Booz	D7/705
D330,513 S *	10/1992	Gilchrist	D7/703
D381,515 S *	7/1997	Haynes	D3/313
D538,538 S *	3/2007	Espinosa	D3/313
D551,038 S *	9/2007	Evaimalo et al.	D7/708

D597,370 S *	8/2009	Watkins	D7/354
D608,609 S *	1/2010	Eaton	D7/701
D650,636 S *	12/2011	Roth	D7/600.1
D656,363 S *	3/2012	Tiemann et al.	D7/601
2002/0108917 A1*	8/2002	Maruyama	211/74

* cited by examiner

Primary Examiner — Terry Wallace

(74) *Attorney, Agent, or Firm* — Brian J. Teague

(57) **CLAIM**

I claim the ornamental design for an organizer for bottles and cans, as shown and described.

DESCRIPTION

FIG. 1 is a perspective view of an organizer for bottles and cans showing the new design.

FIG. 2 is a top view thereof.

FIG. 3 is a bottom view thereof.

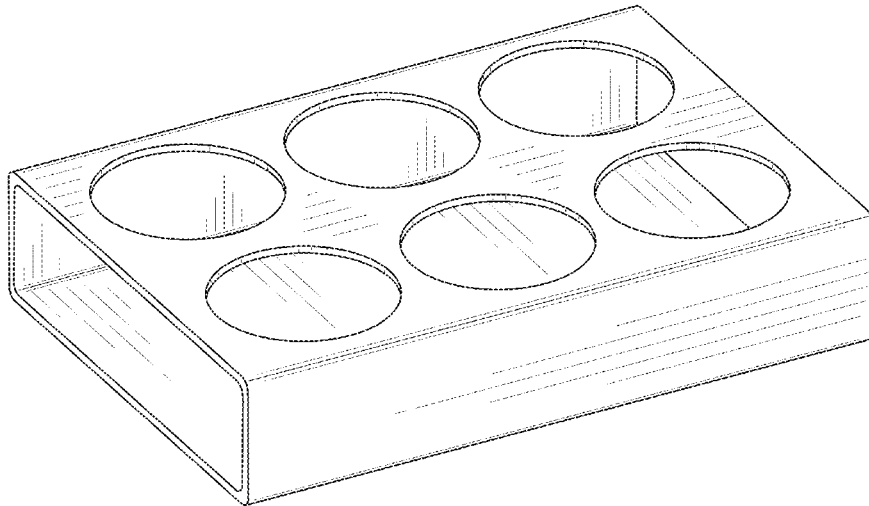
FIG. 4 is a front elevational view thereof. The rear elevational view is identical.

FIG. 5 is a right side elevational view thereof. The left side elevational view is identical; and,

FIG. 6 is a perspective view thereof showing the organizer in use holding bottles and cans.

In the drawings, the broken lines shown in the figures depict unclaimed subject matter only and form no part of the claimed design.

1 Claim, 4 Drawing Sheets



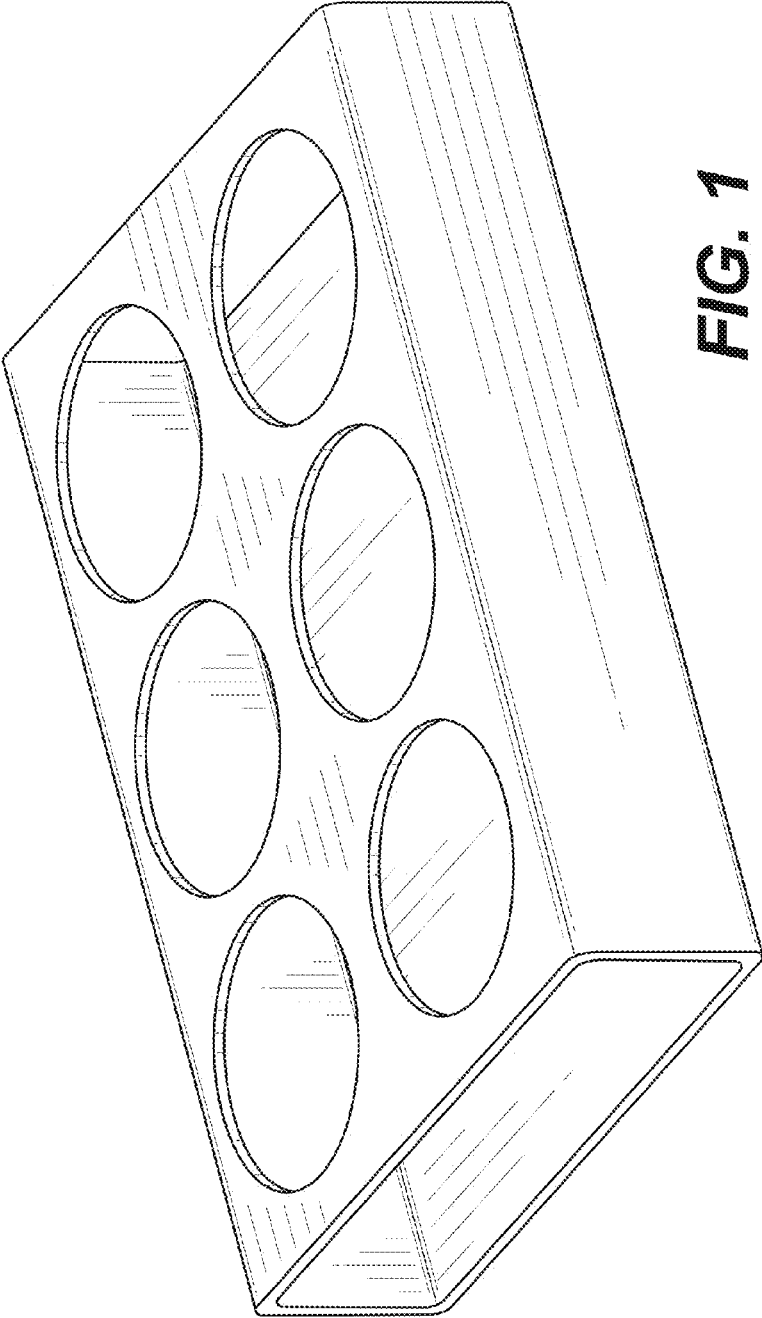


FIG. 1

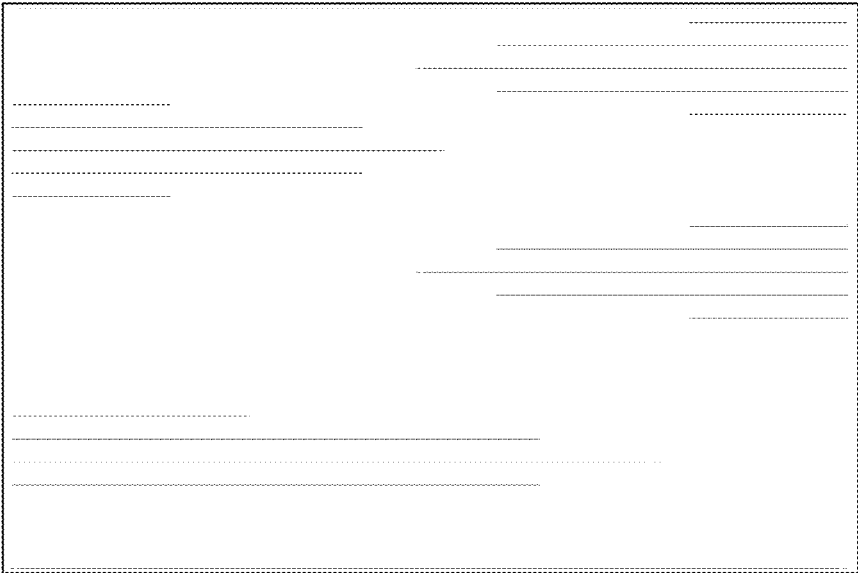


FIG. 3

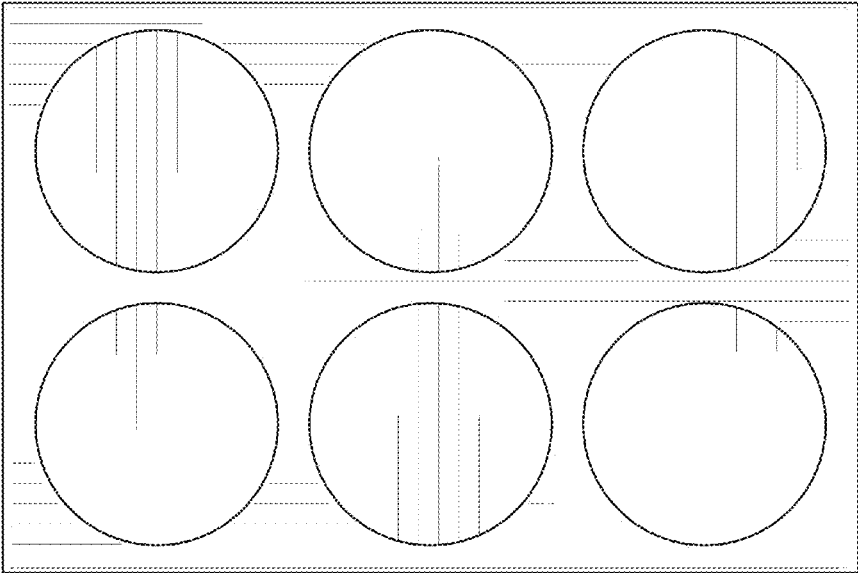


FIG. 2

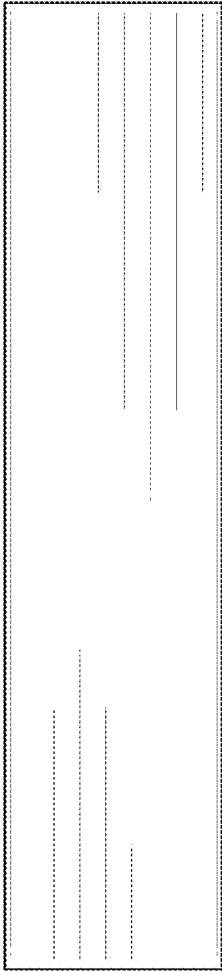


FIG. 4

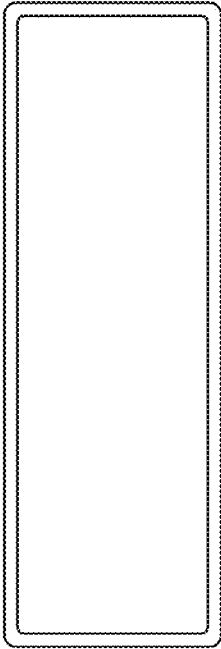


FIG. 5

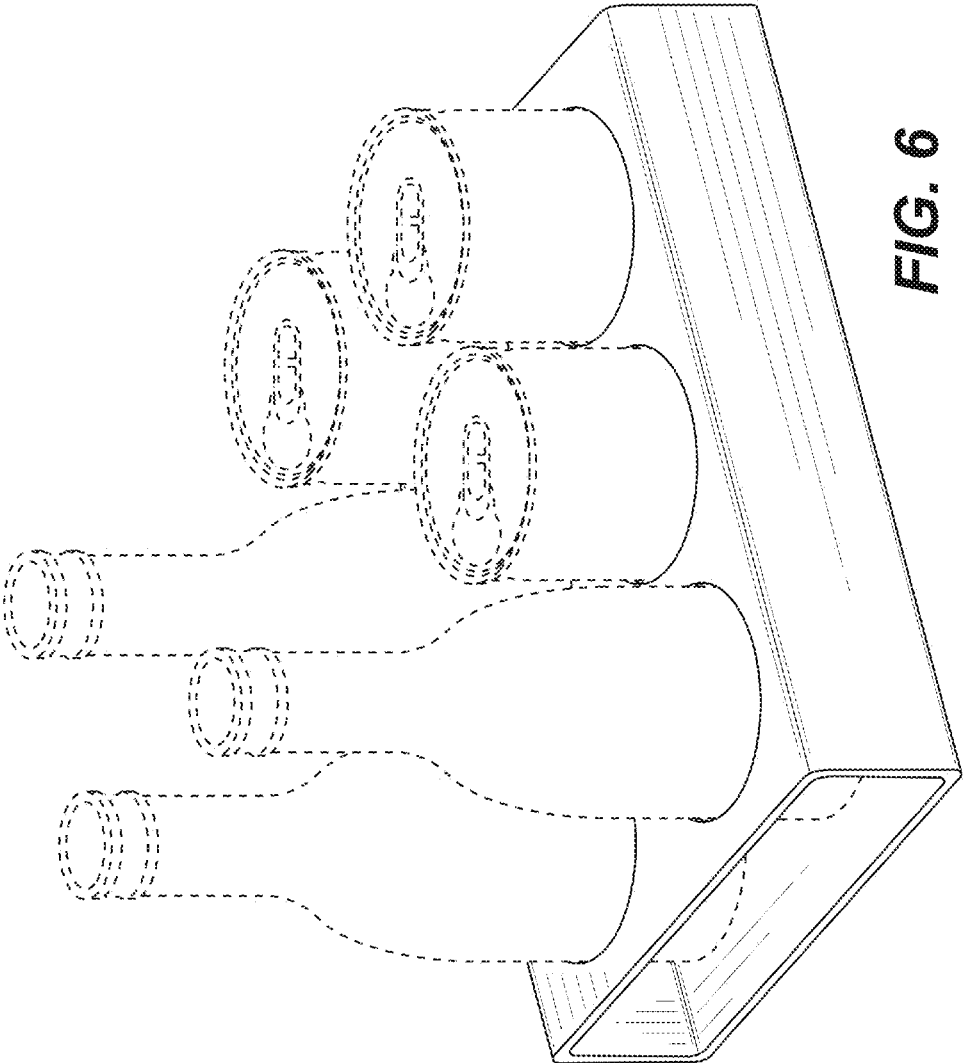


FIG. 6